

Application of Crystal

- ▶ Radio communication
- ▶ MP3
- ▶ Office automation equipment
- ▶ Notebook
- ▶ Telephone



Features

- ▶ High stability assured with tight vacuum sealing
- ▶ High vibration and shock resistance
- ▶ Frequency: 32.768 KHz
- ▶ Low Cost
- ▶ available
- ▶ Rohs compliant / Pb free



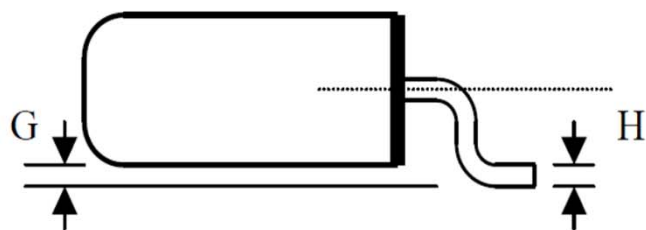
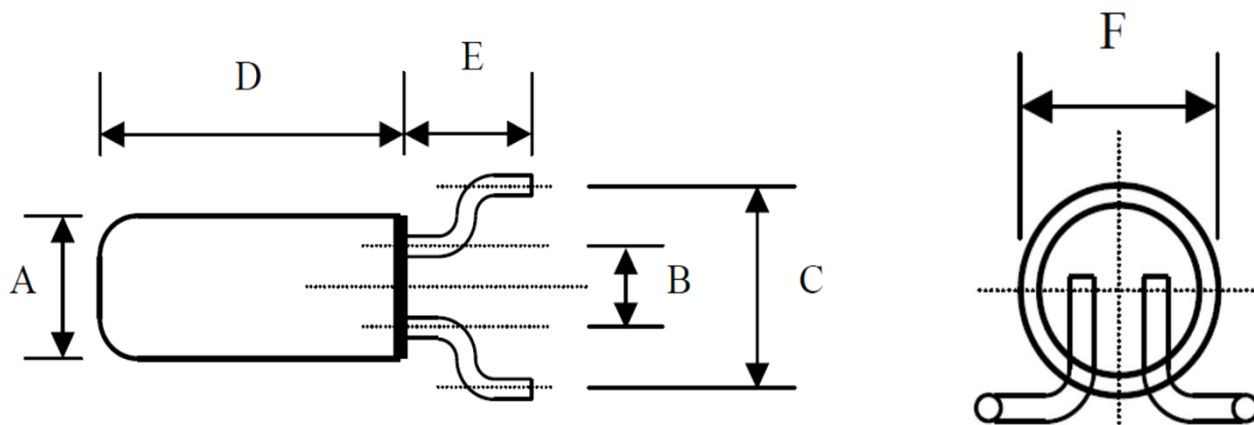
Electrical Specification

NO	Model	Tuning Fork Crystal (2X6) SMD
1	Frequency Range	32.768KHz
2	Frequency Tolerance at 25°C±2°C	±10 ~ ±50 ppm (TYP.)
3	Temperature Coefficient (Frequency)	±0.04 ppm ± 0.006 ppm/°C2(TYP.)
4	Operating Temp Range	-10°C~ +60°C, -20°C~ +70°C
5	Load Capacitance	12.5 pf
6	Shunt Capacitance	5 pF Max.
7	Drive Level	0.1uW ~ 1000uW(TYP: 100uW)
8	Insulation Resistance	500MΩ min / DC 100V±15V
9	Oscillation Mode	Fundamental
10	Soldering Condition	under 235°C with 5sec (Do not heat the package to more than 150°C)
11	Aging Rate	±3ppm/year

Equivalent Series Resistance(ESR) VS Frequency

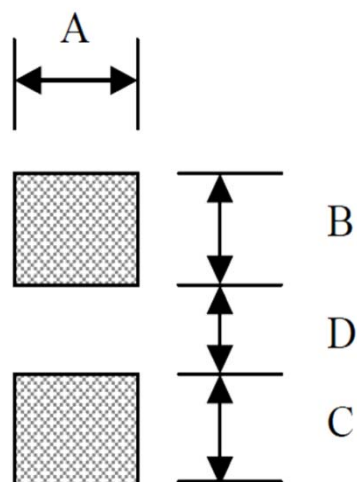
NO	Frequency (KHz)	Oscillation Mode	Tuning Fork Crystal (2X6) SMD
1	32.768	Fundamental	35KΩ MAX

Dimensions (mm):



A	$\Phi 1.9 \pm 0.1$
B	0.7 ± 0.2
C	2.54 ± 0.2
D	6.5 max
E	3.0 ± 0.2
F	$\Phi 2.0 \pm 0.2$
G	$0 \sim 0.25$
H	0.23 ± 0.03

Recommended Land Pattern (mm):



A	1.9
B	1.9
C	1.7
D	1.0