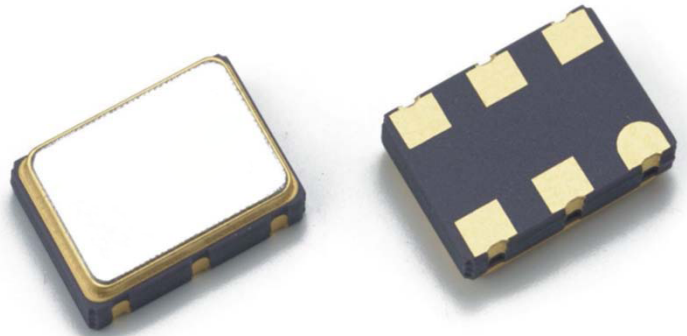


# VCXO (7.0X5.0) 6P SMD TYPE



## Application of Crystal

- ▶ PLL circuit
- ▶ Broad casting equipment
- ▶ AFC circuit
- ▶ Sonet/SDH.ATM
- ▶ FM modulator



## Features

- ▶ Excellent environmental capability
- ▶ Frequency adjustable
- ▶ Supply voltage: 3.3V or 5.0V
- ▶ Low power consumption
- ▶ High accuracy and high reliability
- ▶ RoHS compliant / Pb free



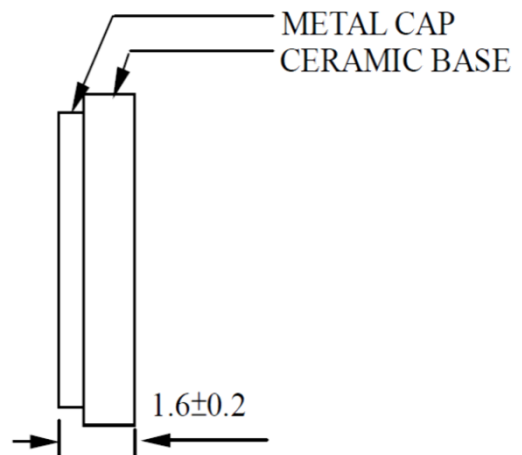
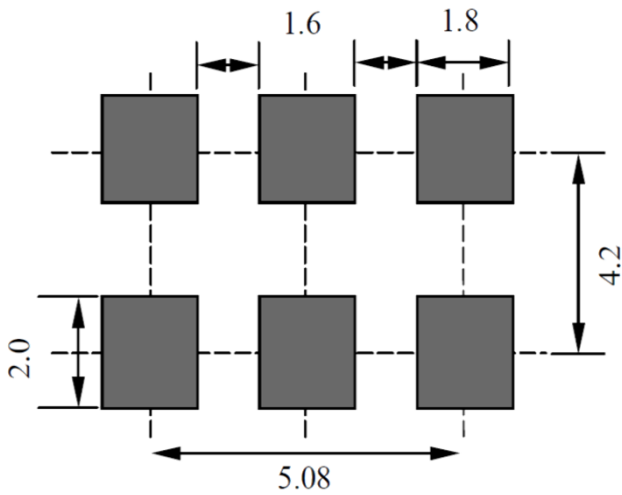
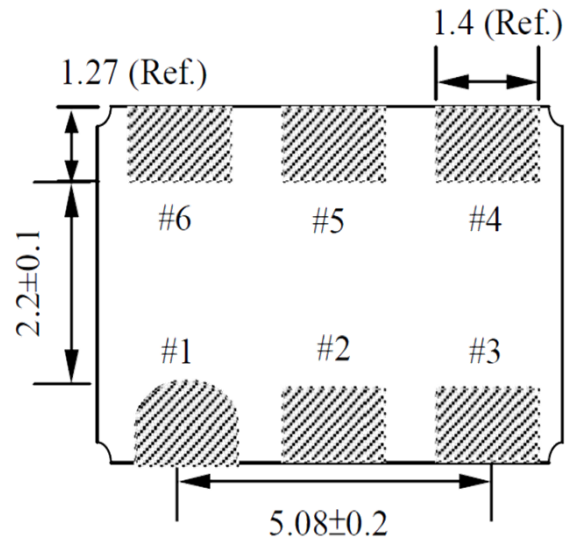
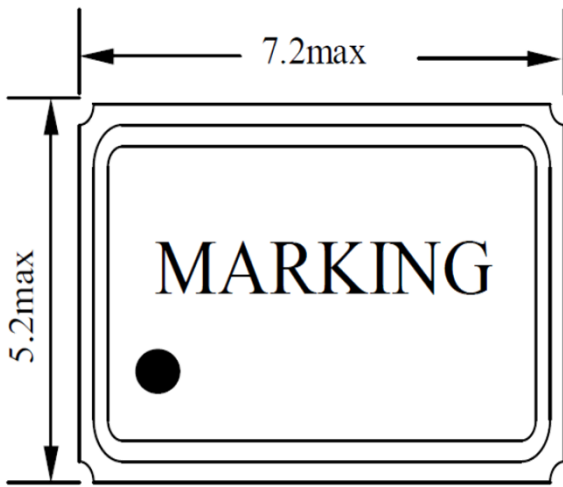
## Electrical Specification

NO	Model	VCXO (7.0X5.0) 6P SMD
1	Frequency Range	1.0MHz ~ 52.0MHz
2	Frequency Stability	±30 ~ ±50 min.(2.5±2.0 V DC)
3	Voltage Vol ( Max.) /Voh ( Min.)	0.1 VDD / 0.9 VDD
4	Operating Temp Range	0°C ~ 70°C
5	Storage Temp Range	-40°C ~ 85°C
6	Pullability	±10ppm ~ ±100ppm min , or specify
7	Power Supply Voltage(VDC)	3.3V±10% or 5.0V±10%
8	Output Symmetry	40% ~ 60% or 45% ~ 55%
9	Input Current	30 mA max
10	Output Load	5TTLor15 pF
11	Rise and Fall Time	10ns max

# VCXO (7.0X5.0) 6P SMD TYPE



Dimensions (mm):



#1: ENABLE / DISABLE FUNCTION

INH (PIN 2) →	OUTPUT (PIN4)	# NO.: define		
High (OPEN) →	Operating	#6: VDC	#5: NC	#4: OUTPUT
LOW →	High impedance	#1: Vcon	#2: E/D	#3: GND