

RESONATOR ZTA SERIES



Application of Resonator

- ▶ Radio communication
- ▶ Keyboard
- ▶ Mouse
- ▶ Digital camera
- ▶ DVB

Features

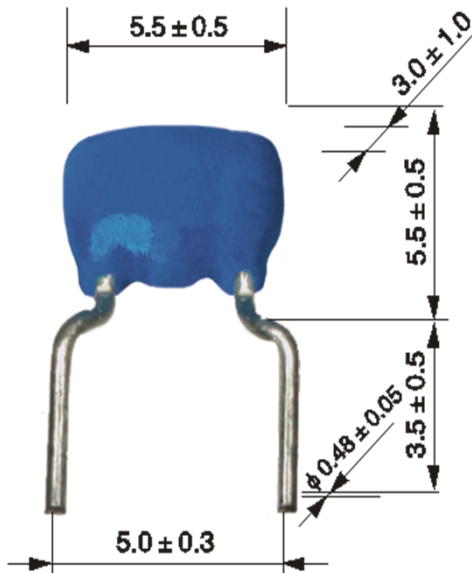
- ▶ High reliability for low cost
- ▶ Small dimensions and low profile
- ▶ Wide frequency range
- ▶ Excellent clock signal generator
- ▶ Tape & Reel delivery form possible
- ▶ RoHS compliant / Pb free



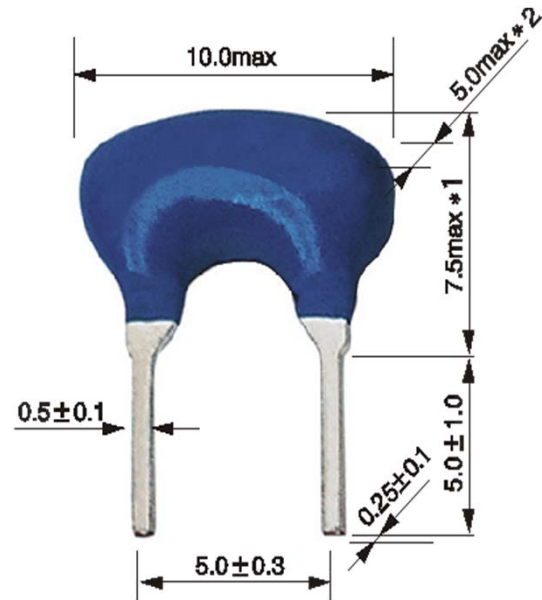
Electrical Specification

Part Number	Model	RESONATOR ZTA SERIES
ZTAWS-MG	Frequency Range	1.79 ~ 6.00 MHz
	Frequency Accuracy	±0.5% at 25°C
	Stability over Temperature	±0.3% over -25/+85°C
	Operating Temperature	-25/+85°C
	Aging For 10 Years	±0.3%
ZTARS-MG	Frequency Range	6.01 ~ 12.50 MHz
	Frequency Accuracy	±0.5% at 25°C
	Stability over Temperature	±0.3% over -25/+85°C
	Operating Temperature	-25/+85°C
	Aging For 10 Years	±0.3%
ZTA-MT	Frequency Range	6.00 ~ 13.00 MHz
	Frequency Accuracy	±0.5% at 25°C
	Stability over Temperature	±0.3% over -25/+85°C
	Operating Temperature	-25/+85°C
	Aging For 10 Years	±0.3%
ZTA-MX	Frequency Range	12.00 ~ 60.0 MHz
	Frequency Accuracy	±0.5% at 25°C
	Stability over Temperature	±0.3% over -25/+85°C
	Operating Temperature	-25/+85°C
	Aging For 10 Years	±0.3%
ZTARS-MX	Frequency Range	16.00 ~ 60.0 MHz
	Frequency Accuracy	±0.5% at 25°C
	Stability over Temperature	±0.3% over -25/+85°C
	Operating Temperature	-25/+85°C
	Aging For 10 Years	±0.3%

DIMENSIONS(mm) :

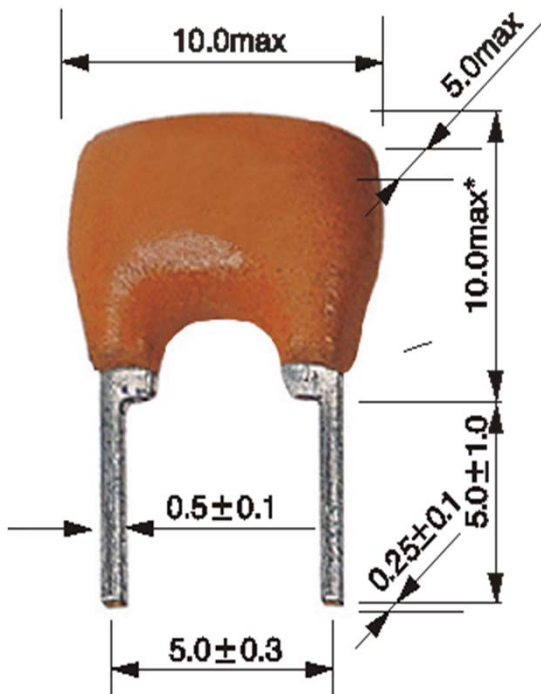


ZTARS-MG/MX



ZTAWS-MG

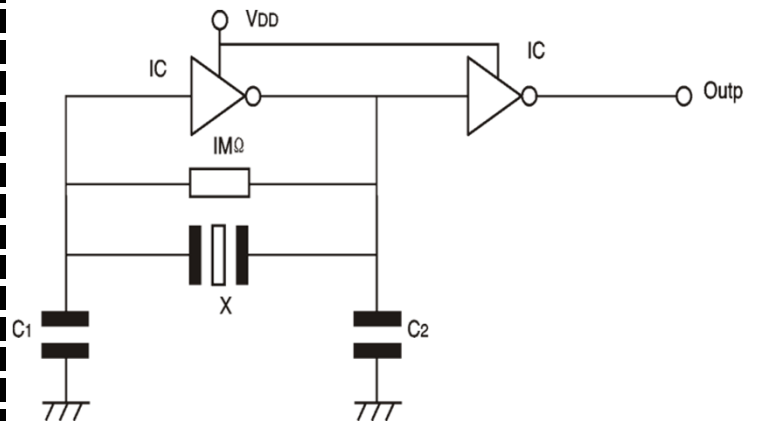
*1 WS: 5.5 max; *2 WS: 4.0 max;



ZTA-MT/MX

*MT: 10.0 max;
 *MX: 12.00~23.99MHz, 10.0 max
 24.00~31.99MHz, 7.5 max
 32.00~60.00MHz, 6.5 max

TEST CIRCUIT FOR MOS IC



IC(MG,MT): 1/6TC4069UBP × 2
 (MX): 1/6TC74HCU04 × 2
 C1C2(MG,MT): 30pF
 (MX): 30pF(12.00 ~ 20.00MHz)
 15pF(20.01 ~ 25.99MHz)
 5pF(26.00 ~ 60.00MHz)

X: Ceramic Resonator
 VDD: +5V