

1000BASE-T SMD TRANSFORMERS

MODEL NO:HA2403SG



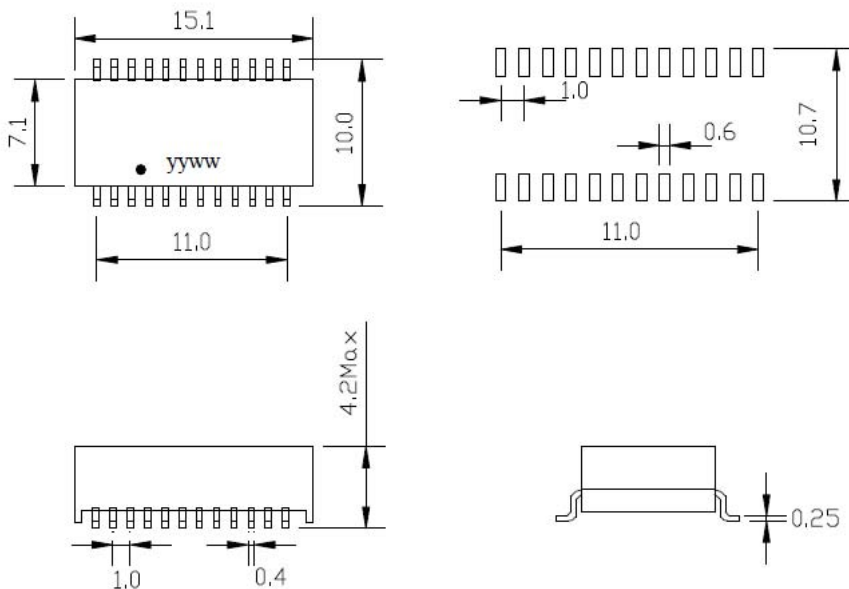
Feature:

Storage Temprange: -25°C To $+125^{\circ}\text{C}$
 SMD Environmental: Designed to meet IR 235°C 1 minute
 Meets all IEEE802.3 and ANSI X3.263 Standards
 Primary inductance(Lp): $350\mu\text{H}$ Min (100KHz ,100mV ,8mA)
 Leakage inductance(LI): $0.3\mu\text{H}$ Max (100KHz ,100mV)
 Primary Capacitance(Cww): 25.0PF Max(1MHz ,500mV)
 HI-POT:1500VAC 1mA 1Sec

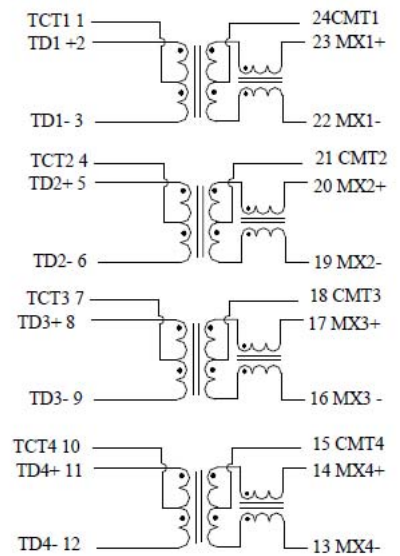
Electrical Specifications at 25°C – Operating Temprange: 0°C To $+70^{\circ}\text{C}$

Part Number	Transformer Turns ratio ($\pm 5\%$)		Insertion Loss (dB TYP) 1-100MHz	Crosstalk (dB TYP) 30/60/100(MHz)	Return loss (dB TYP) 30/60/100(MHz)	CMRR (dB TYP) 30/60/100(MHz)
	Receive	Transmit				
HA2403SG	1:1	1CT:1CT	-1.0	-43/-37/-33	-18/ -12/ -10	-43/-37/-33

Dimension : mm



Schematics :



Data sheet subject to change without notice Unless otherwise specified,all tolerance are $\pm 0.25\text{mm}$