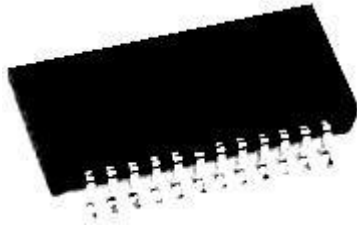


## 1000BASE-T SMD TRANSFORMERS

### MODEL NO:HA2424SG



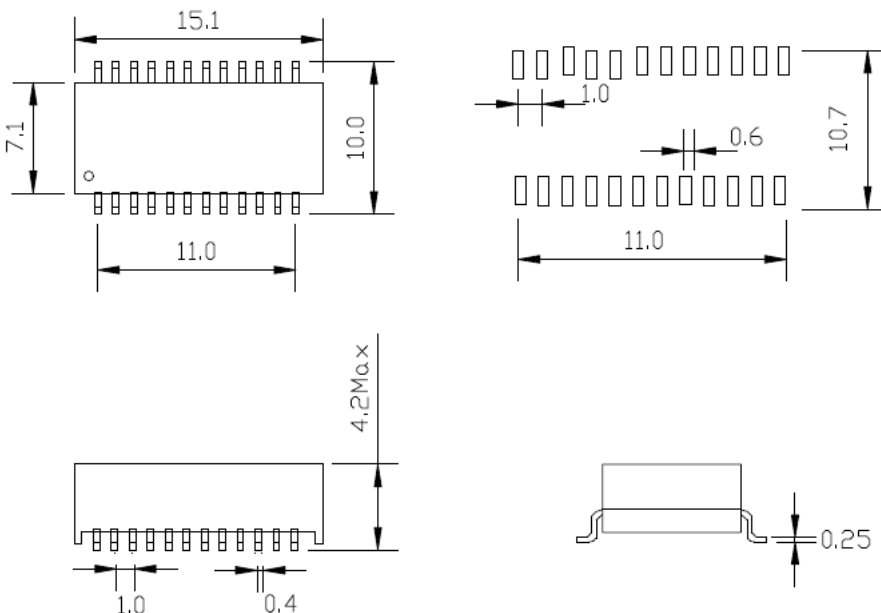
#### Feature:

Storage Temprange: -25°C To +125°C  
 SMD Environmental: Designed to meet IR 235°C 1 minute  
 Suitable for End-span POE applications with 720mA current capability  
 Meets all IEEE802.3at and ANSI X3.263 Standards  
 Primary inductance(Lp): 350μH Min (100KHz ,100mV ,8mA )  
 Leakage inductance(LI): 0.3μH Max (100KHz ,100mV )  
 Primary Capacitance(Cww): 25.0PF Max(1MHz ,500mV )  
 HI-POT: 1500VAC 1mA 1Sec

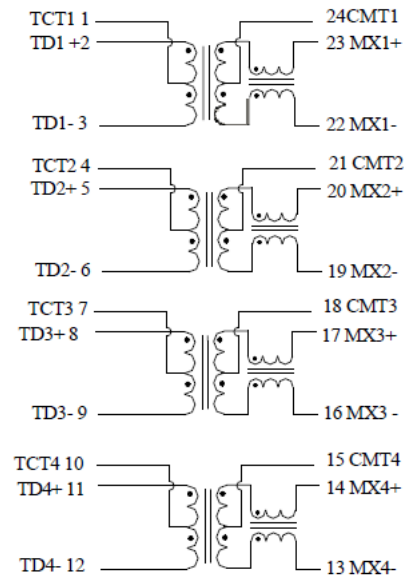
#### Electrical Specifications at 25°C – Operating Temprange: 0°C To +70°C

Part Number	Transformer Turns ratio (±2%)		Insertion Loss (dB TYP) 1~100MHz	Crosstalk (dB TYP) 30/60-100(MHz)	Return loss (dB TYP) 30/60-100(MHz)	DCMR (dB TYP) 30/60/100 (MHz)
	Receive	Transmit				
HA2424SG	1:1	1CT:1CT	-1.0	-43/-37/-33	-18/ -12/ -10	-43/-37/-33

#### Dimension : mm



#### Schematics :



Data sheet subject to change without notice Unless otherwise specified, all tolerance are ±0.25mm