

1000 Base-T Single port LAN Transformer Module

MODEL NO: HA2441SG

Feature:

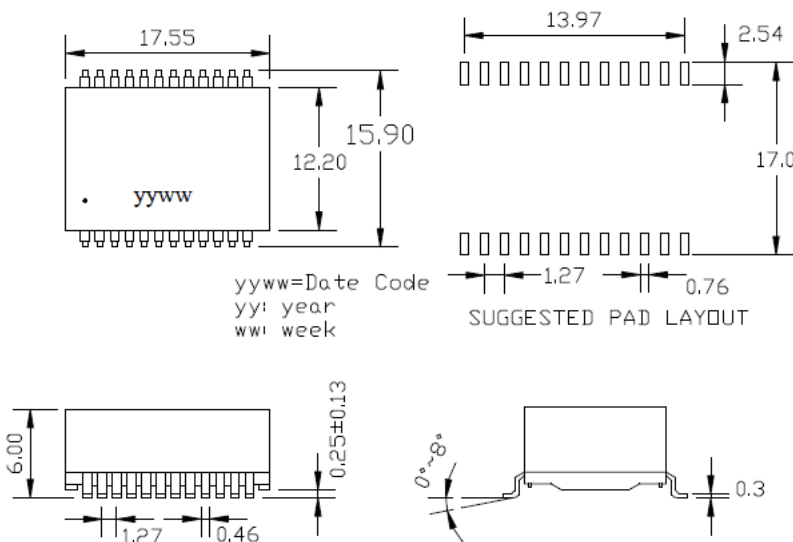


Designed for long haul Gigabit Ethernet 1000Base-T, full duplex applications
 Meets all IEEE802.3at and ANSI X3.263 Standards for 1000Base-T
 Supports 4 pairs of category 5 UTP cable
 SMD Environmental: Designed to meet IR 235°C 1 minute Suitabie for End-span POE applications with 720 mA current capability.
 Comply with ROHS&Halogen free requirements. Storage Temperature rang:-25°C To +85°C
 HI-POT:1500VAC 1mA 1Sec

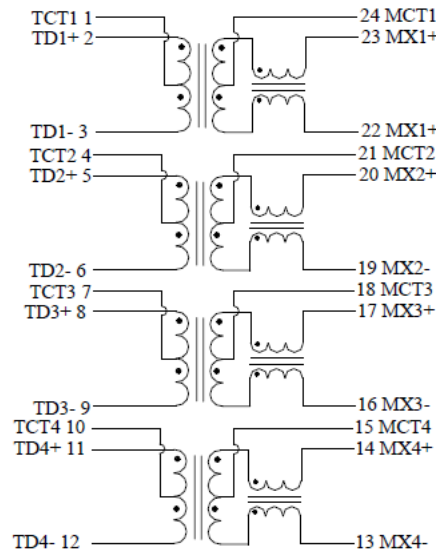
Electrical Specifications at 25°C – Operating Temprange: 0°C To +70°C

Part Number	Transformer Turns ratio (±3%)		Insertion Loss (dB TYP) 1~100MHz	Crosstalk (dB TYP) 30/60~100(MHz)	Return loss (dB TYP) 1~30/30~50/50~60/60-100(MHz)	DCMR (dB TYP) 30/60/100 (MHz)
	Receive	Transmit				
HA2441SG	1:1	1CT:1CT	-1.0	-45/-40/-35	-18/ -14/ -12.5/-10	-43/-37/-33

Dimension : mm



Schematics :



Data sheet subject to change without notice Unless otherwise specified, all tolerance are ±0.25mm