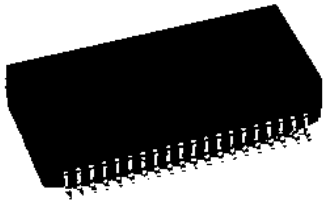


10/100 Base-T Quad Port LAN Transformer Module MODEL NO:HA4001SG

Feature:

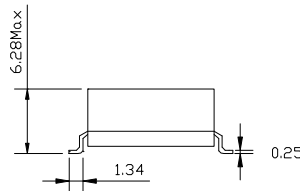
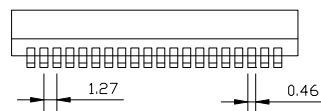
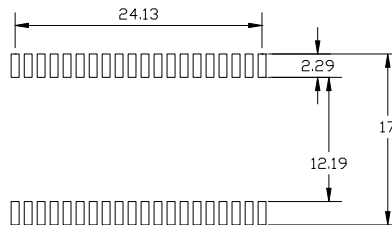
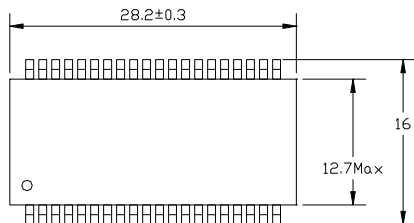


Designed to meet IEEE802.3 and ANSI X3.263 Standards
 SMD Environmental: Designed to meet IR 235°C 1 minute
 Primary inductance(Lp):350 μ H Min (100KHz ,100mV ,8mA)
 Storage Temprange:-25°C To +125°C
 HI-POT:1500VAC 1mA 1Sec

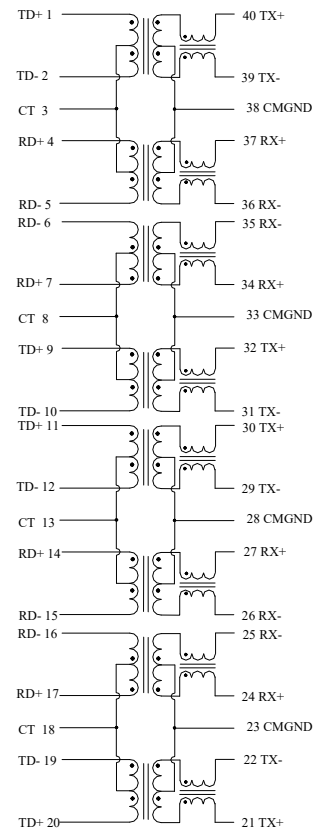
Electrical Specifications at 25°C – Operating Temprange: 0°C To +70°C

Part Number	Transformer Turns ratio ($\pm 3\%$)		Insertion Loss (dB TYP) 1-100MHz	Crosstalk (dB TYP) 30/ 60/ 100(MHz)	Return loss (dB TYP) 1-30/30-50/50-60/60-100(MHz)	DCMR (dB TYP) 30/ 60/ 100(MHz)
	Receive	Transmit				
HA4001SG	1:1	1CT:1CT	-1.0	-55/-45/-40/-33	-18/ -12	-37/-35

Dimension : mm



Schematics :



Data sheet subject to change without notice Unless otherwise specified,all tolerance are ± 0.25 mm