

Tuning Fork (3.2X1.5) SMD TYPE



Application of Crystal

- ▶ Radio communication
- ▶ MP3
- ▶ Office automation equipment
- ▶ Notebook
- ▶ Telephone



Features

- ▶ High stability assured with tight vacuum sealing
- ▶ High vibration and shock resistance
- ▶ Frequency: 32.768 KHz
- ▶ Low Cost
- ▶ available
- ▶ Rohs compliant / Pb free



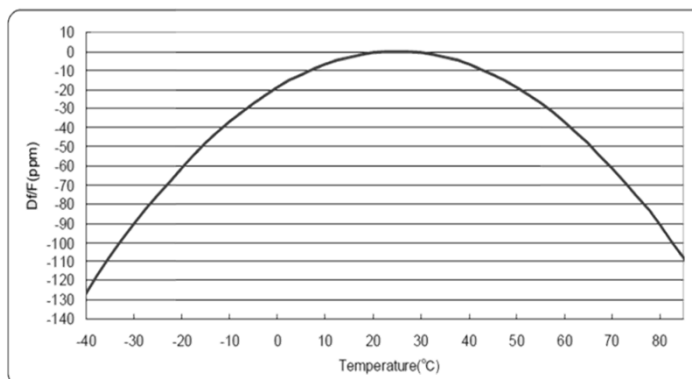
Electrical Specification

NO	Model	Tuning Fork (3.2X1.5) SMD TYPE
1	Frequency Range	32.768KHz
2	Frequency Tolerance at 25°C±5°C	±10 ~ ±100 ppm (TYP.)
3	Storage temperature range	-55 to +125°C
4	Operating Temp Range	-40°C~ +85°C
5	Load Capacitance	7.0,9.0,12.5 pf
6	Shunt Capacitance	5 pF Max.
7	Drive Level	0.5uW
8	Insulation Resistance	500MΩ min / DC 100V±15V
9	Motional capacitance(fF)	7.0 Typ.
10	Parabolic coefficient(/°C ²)	-(0.03±0.01)×10 ⁻⁶
11	Aging Rate	±3ppm/year

Equivalent Series Resistance(ESR) VS Frequency

NO	Frequency (KHz)	Oscillation Mode	Tuning Fork (3.2X1.5) SMD TYPE
1	32.768	Fundamental	90KΩ MAX

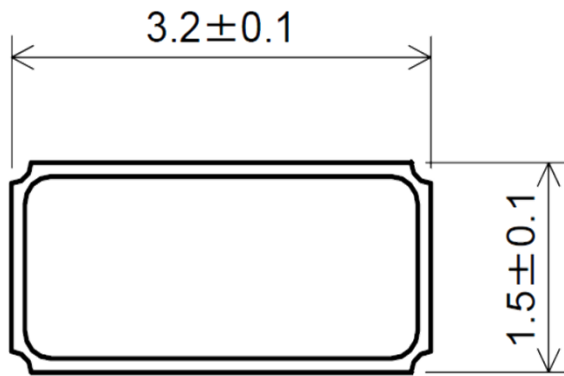
An example of frequency vs temperature characteristic



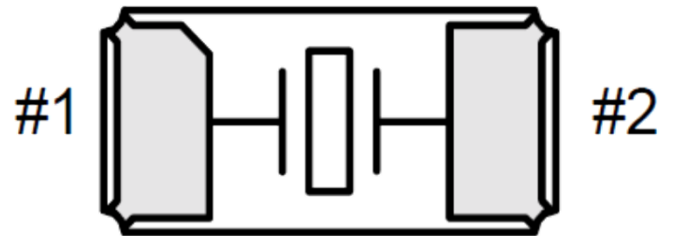
Tuning Fork (3.2X1.5) SMD SIZE



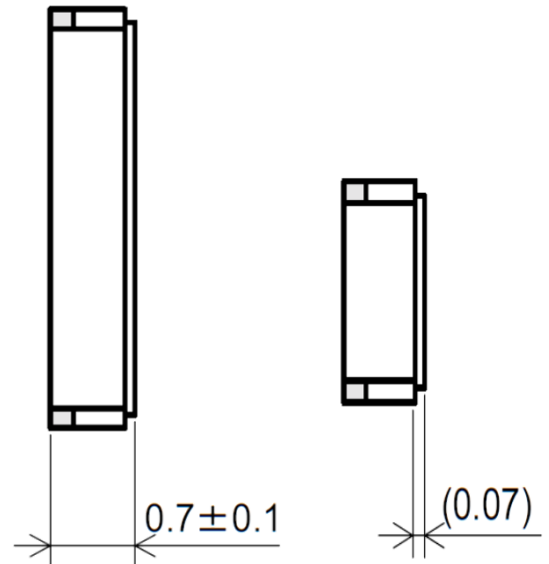
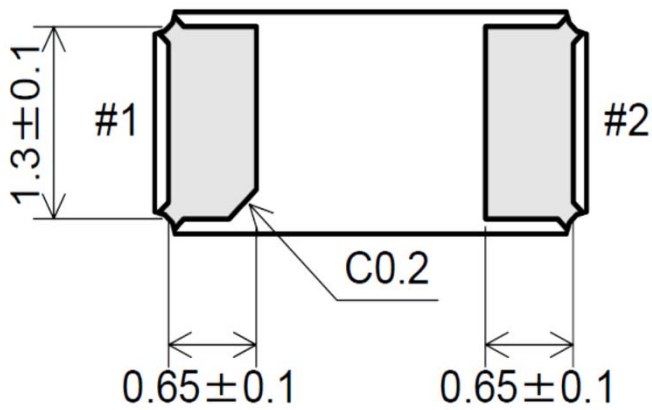
Dimensions (mm):



Internal connection



< Top view >



Recommended Land Pattern (mm):

