

## 10/100 Base-TX SMD Single Port Miniature Transformers

**MODEL NO: HA1607S**



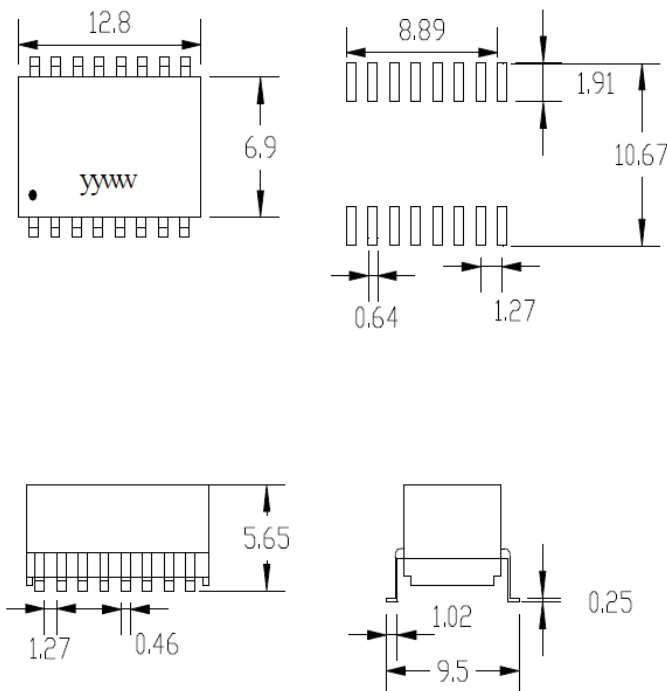
### Feature:

Meets all IEEE 802.3at and ANSI X3.263 Standards  
 SMD Environmental: Designed to meet IR 235°C 1 minute  
 Suitable for End-span POE applications with 720 mA current  
 capability.  
 Primary inductance(Lp):350  $\mu$  H Min (100KHz ,100mV ,8mA )  
 Storage Temprange:-25°C To +125°C  
 HI-POT:1500VAC 1mA 1Sec

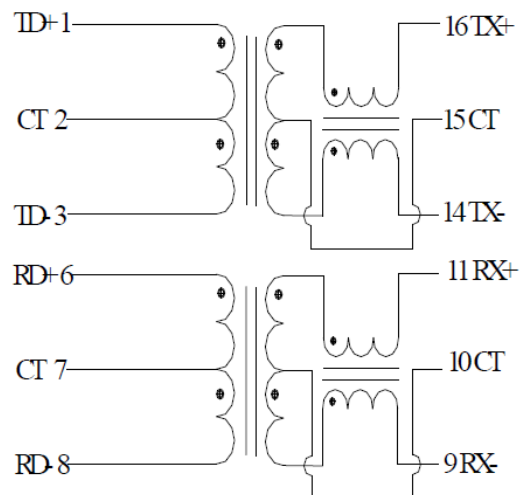
### Electrical Specifications at 25°C – Operating Temprange: 0°C To +70°C

Part Number	Transformer Turns ratio ( $\pm 5\%$ )		Insertion Loss (dB TYP) 1-100MHz	Crosstalk (dB TYP)			Return loss (dB TYP)			DCMR (dB TYP)			
	Receive	Transmit		1/30/	60/	100(MHz)	1~30/	-30~60/	60~100/(MHz)	30/	60/	100(MHz)	
HA1607S	1:1	1CT:1CT	-1.1	-45 /	-42/	-40 /	-35	-16/	-10/	-10	-43/	-37/	-33

### Dimension : mm



### Schematics :



Data sheet subject to change without notice Unless otherwise specified,all tolerance are  $\pm 0.25$ mm