

1000 Base-T Single port LAN Transformer Module MODEL NO:HA2401SG



Feature:

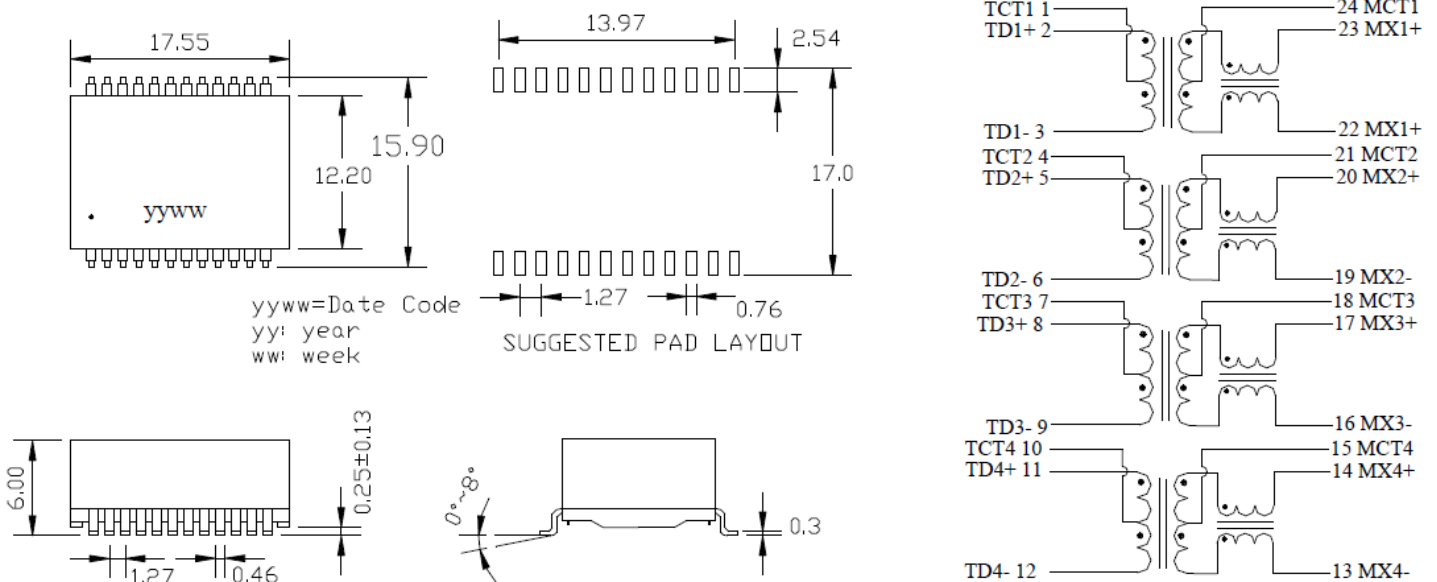
Designed for long haul Gigabit Ethernet 1000Base-T, full duplex applications
 Meets all IEEE802.3 and ANSI X3.263 Standards for 1000Base-T
 Supports 4 pairs of category 5 UTP cable
 SMD Environmental: Designed to meet IR 235°C 1 minute
 Primary inductance(Lp):350μH Min (100KHz ,100mV ,8mA)
 Storage Temperature:-25°C To +125°C
 HI-POT:1500VAC 1mA 1Sec

Electrical Specifications at 25°C – Operating Temperature: 0°C To +70°C

Part Number	Transformer Turns ratio (±3%) Receive Transmit	Insertion Loss (dB TYP) 1-100MHz	Crosstalk (dB TYP) 30/ 60/ 100(MHz)	Return loss (dB TYP) 1-30/30-50/50-60/60-100(MHz)	DCMR (dB TYP) 30/ 60/ 100(MHz)
HA2401SG	1:1 1CT:1CT	-1.0	-45 / -40 / -35	-18/ -14/ -12.5/ -10	-43/-37/-33

Dimension : mm

Schematics :



Data sheet subject to change without notice Unless otherwise specified, all tolerance are ± 0.25 mm