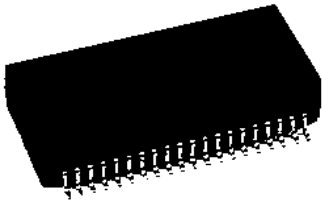


## 1000 Base-T Dual port LAN Transformer Module MODEL NO:HA4801SG

### Feature:

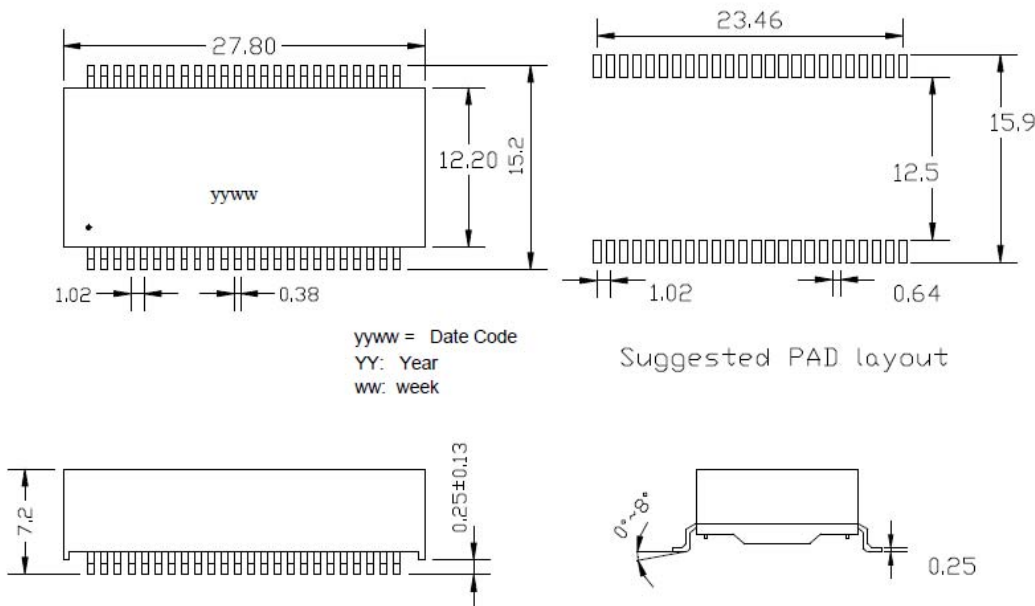


Designed for long haul Gigabit Ethernet 100/1000Base-TX,full duplex applications  
 Supports 8 pairs of category 5 UTP cable  
 Meets all IEEE802.3 and ANSI X3.263 Standards for 1000Base-T  
 Primary inductance(Lp):350 $\mu$ H Min (100KHz ,100mV ,8mA )  
 SMD Environmental: Designed to meet IR 235 $^{\circ}$ C 1 minute  
 Storage Temprange:-25 $^{\circ}$ C To +125 $^{\circ}$ C  
 HI-POT:1500VAC 1mA 1Sec

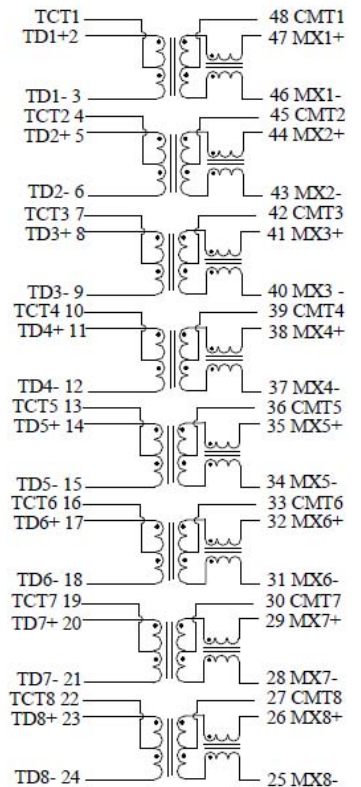
### Electrical Specifications at 25 $^{\circ}$ C – Operating Temprange: 0 $^{\circ}$ C To +70 $^{\circ}$ C

Part Number	Transformer Turns ratio ( $\pm 3\%$ )		Insertion Loss (dB TYP) 1-100MHz	Crosstalk (dB TYP) 30/ 60/ 100(MHz)	Return loss (dB TYP) 1-30/30-50/50-60/60-100(MHz)	DCMR (dB TYP) 30/ 60/ 100(MHz)
	Receive	Transmit				
HA4801SG	1:1	1CT:1CT	-1.0	-55/-45/-40/-33	-18/ -12	-37/-35

### Dimension : mm



### Schematics :



Data sheet subject to change without notice Unless otherwise specified,all tolerance are  $\pm 0.25$ mm