

RESONATOR ZTT SERIES



Application of Resonator

- ▶ Radio communication
- ▶ Keyboard
- ▶ Mouse
- ▶ Digital camera
- ▶ DVB



Features

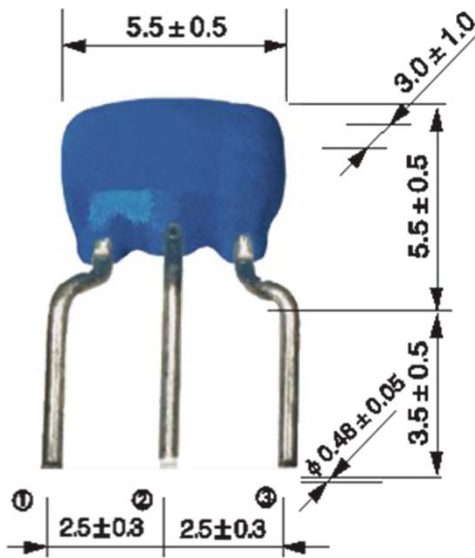
- ▶ Built-in Capacitor
- ▶ High reliability for low cost
- ▶ Small dimensions Small dimensions and low profile
- ▶ Wide frequency Wide frequency range
- ▶ Excellent clock signal generator
- ▶ Tape & Reel Tape & Reel delivery form possible



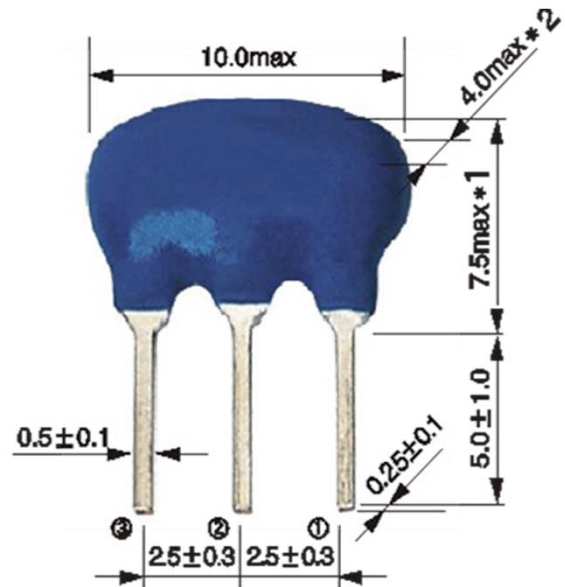
Electrical Specification

Part Number	Model	RESONATOR ZTT SERIES
ZTTWS-MG	Frequency Range	1.79 ~ 6.00 MHz
	Frequency Accuracy	±0.5% at 25°C
	Stability over Temperature	±0.3% over -25/+85°C
	Operating Temperature	-25/+85°C
	Aging For 10 Years	±0.3%
ZTTRS-MG	Frequency Range	6.01 ~ 12.50 MHz
	Frequency Accuracy	±0.5% at 25°C
	Stability over Temperature	±0.3% over -25/+85°C
	Operating Temperature	-25/+85°C
	Aging For 10 Years	±0.3%
ZTT-MT	Frequency Range	6.00 ~ 13.00 MHz
	Frequency Accuracy	±0.5% at 25°C
	Stability over Temperature	±0.3% over -25/+85°C
	Operating Temperature	-25/+85°C
	Aging For 10 Years	±0.3%
ZTT-MX	Frequency Range	12.00 ~ 60.0 MHz
	Frequency Accuracy	±0.5% at 25°C
	Stability over Temperature	±0.3% over -25/+85°C
	Operating Temperature	-25/+85°C
	Aging For 10 Years	±0.3%
ZTTRS-MX	Frequency Range	16.00 ~ 60.0 MHz
	Frequency Accuracy	±0.5% at 25°C
	Stability over Temperature	±0.3% over -25/+85°C
	Operating Temperature	-25/+85°C
	Aging For 10 Years	±0.3%

DIMENSIONS(mm) :

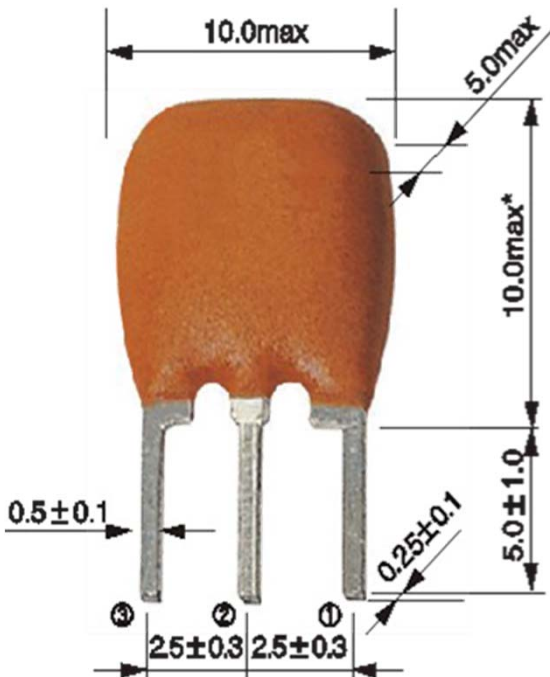


ZTTRS-MG/MX



ZTTWS-MG

*1 WS: 5.5 max; *2 WS: 4.0 max;

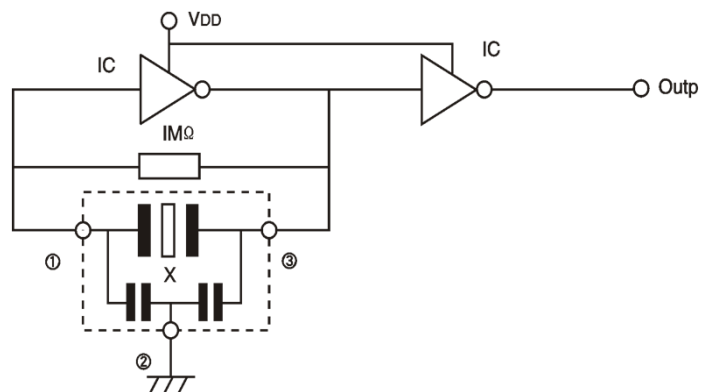


ZTT-MT/MX

*MT: 10.0 max;

*MX: 12.00~13.00MHz, 12.0 max
13.01~60.00MHz, 10.0 max

TEST CIRCUIT FOR MOS IC



IC(MG,MT): 1/6TC4069UBP × 2
(MX): 1/6TC74HCU04 × 2
X: Ceramic Resonator
V_{DD}: +5V